

# MULTI-JET WATER METER (PLASTIC RING COVER)

FM-102  
FM-103

## Salient Features:

- ISO 4064 Class-B
- Extra Dry Dial
- Cost effective-High performance & light weight.
- Register can be rotated in any direction for convenient reading.
- Straight reading cyclometer type register for the most comfortable reading position 8 rollers and 1 pointer.
- Hermetically sealed register ensures that all internal parts clean and prevents fogging throughout the entire lifetime of the meter.
- Robust copper alloy body to pass the strongest resistance tests in both static and dynamic conditions.
- High quality engineered materials for hydraulics and register ensure high reliability and durability
- Shock resistant material for register & closure.
- High performance magnetic transmission ensures no part of the register is in contact with water.
- Interchangeable spare parts for easy online maintenance.
- High sensitivity, low pressure loss.
- Inlet strainers are provided.
- Available for both cold and hot water.
- 100% of the products are calibrated and all calibrations results can be provided on request.

## Conformity to Standards and Codes:

Design: IS 779/ ISO 4064

## Meter Testing:

Approved as per IS 779

Confirms to IS 6784/ ISO 4064 /OIML R-49

## Working Temperature:

For Cold <45°C

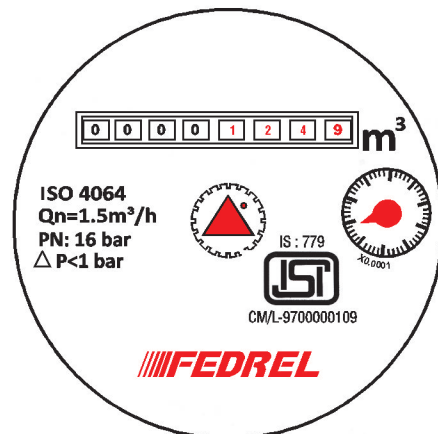
For Hot <90°C

## Size Range:

15mm(1/2") & 20mm(3/4")

## Applications:

- Apartments & Residences
- Industries
- Agriculture



**FEDREL**

DOC.NO: VAV-C-1031; REV.NO:01; DATE: 19-06-2017



**Si'Tarc**  
Not for Profit Registered Society



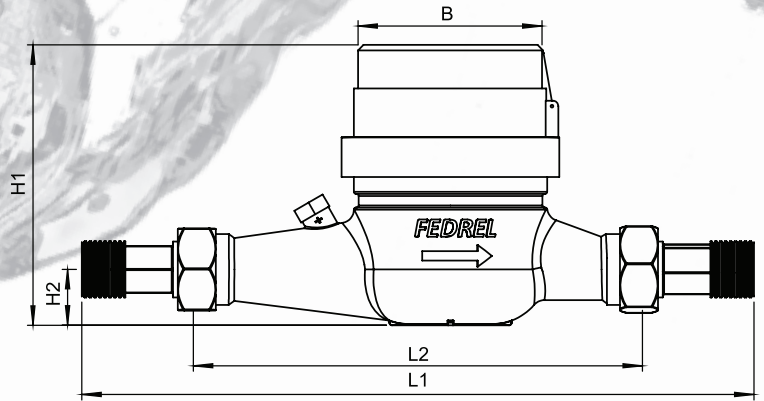
**12**  
months  
WARRANTY



www.fedrelflowmeters.com

## DIMENSIONS

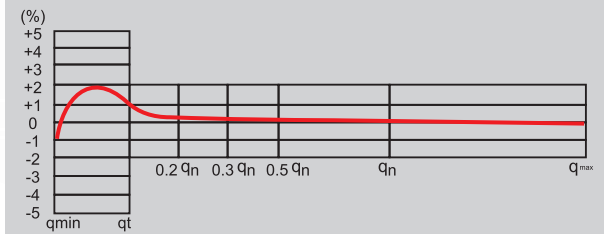
SIZE (mm)	Length (mm)		B (mm)	H1 + H2 (mm)	Connecting Thread (DN)	Weight
	L1	L2				
15	250	165	99	104	G 3/4	750 gram
20	290	190	99	106	G 1 B	950 gram



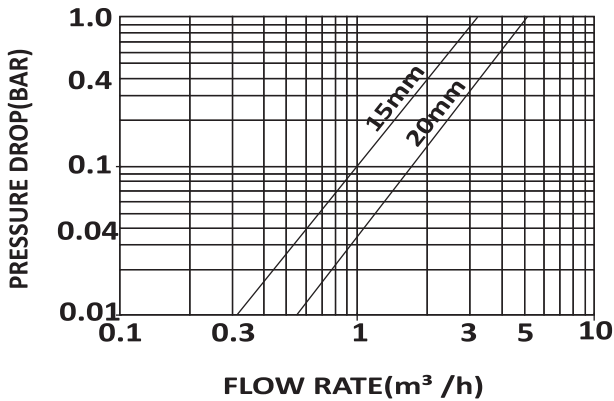
## METEOROLOGICAL :

SIZE (mm)	Class	Qmax. l/h	Qn. l/h	Qt. (l/h)	Qmin. (l/h)	Min Reading	Max Reading
15MM	B	3000	1500	120	30	0.0001	99999.9999
20MM	B	5000	2500	200	50	0.0001	99999.9999

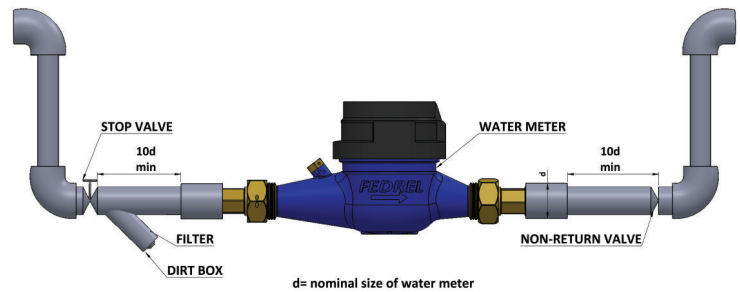
## ACCURACY CURVE



## HEAD LOSS CHART



## INSTALLATION DRAWING



## WARRANTY

All meters are warranted against any manufacturing defect for a period of 12 months from date of supply, provided the meter has not been misused, damaged, installed for services it is not recommended or the seal has been tampered with. The company shall be liable to furnish part/ parts thereof or full water meter as the company may deem fit.

## V.A. VALVES

(FLOW METERING DIVISION)

ISO 9001-2008 Certified

Regd. Office & Works: Udyog Nagar, Gadaipur, Jalandhar City -144 004

Phone: +91-181-2601540, 2601541 Fax: +91-181-2601741

E-mail : marketing@vk-utam.com, info@fedreflowmeters.com

Website : www.fedreflowmeters.com

Due to continuous development program, design and data in this leaflet are subject to change without prior notice.

Authorized Stockist

Our associates:



PIONEERING FLUID CONTROLS