

# Multi Jet Water Meter (With Pulse O/P & Pulse O/P Ready)

FM-104/P  
FM-104/P-R

## Salient Features:

- ISO 4064 Class-B
- Extra Dry Dial.
- High sensitivity, low pressure loss.
- Double Strainers - inlet & Internal are standard.
- 100% of the products are calibrated and all calibration results can be provided.

## Data Output Options:

10 L/P (for 15mm & 20mm),  
10 L/P or 100 L/P (for 25mm to 50mm)

## Read Switch Electric Data:

Voltage: 9V DC max  
Current: 0.01A max

## Conformity to Standards and Codes:

Design: IS 779/ISO 4064  
Meter Testing: Approved as per IS 779  
Confirms to IS 6784/ISO 4064/OIML R-49

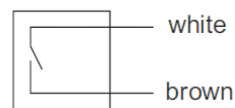
**Size Range:** 15mm (½") to 50mm (2")

## Working Temperature Ratings:

For cold < 45°C

## Applications:

- Apartments & residences
- Industries
- Agriculture



Reed sensor

## Reed Sensors:

The reed sensor is designed as a potential-free normally open contact. It is closed with a frequency proportional to the flow rate by a serially integrated magnet within the counter and open itself automatically again. Typical pulse values are 10 L/P and 100 L/P depending on meter size and mounting position. The reed sensor does not require its own power supply and is therefore the ideal partner for all electronic devices which run on batteries.

**FEDREL**

DOC.NO: VAV-C-1051; REV.NO:00; DATE: 19-06-2017



**Si'Tarc**  
Not for Profit Registered Society



**12**  
months  
WARRANTY



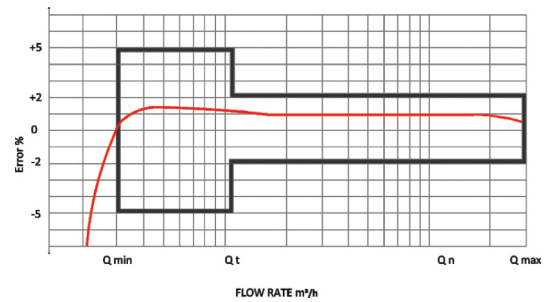
CM/L-970000109

www.fedrelflowmeters.com

## METROLOGICAL DATA

Meter Size (mm)	Class	Q <sub>max</sub> l/h	Q <sub>n</sub> l/h	Q <sub>t</sub> l/h	Q <sub>min</sub> l/h	Max Pressure (Bar)	Min. Reading	Max. Reading
15	B	3000	1500	120	30	16	0.0001	99999.9999
20	B	5000	2500	200	50	16	0.0001	99999.9999
25	B	7000	3500	280	70	16	0.0001	99999.9999
40	B	20000	10000	800	200	16	0.001	99999.9999
50	B	30000	15000	1200	300	16	0.001	99999.9999

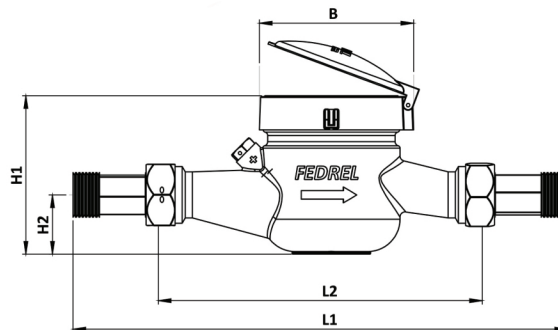
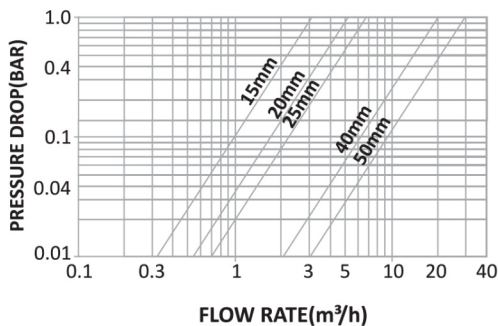
## ACCURACY CURVE



## DIMENSIONS

Meter Size (mm)	Length (mm)		B(mm)	H1+H2(mm)	Connecting Thread(DN)
	L1(with nipples)	L2 (without nipples)			
15	250	165	99	104	G 3/4B
20	290	190	99	106	G 1B
25	380	260	104	120	G.1.25 B
40	430	300	125	155	G 2B
50	470	330	125	155	G 2.5 B

## HEAD LOSS CHART



## WARRANTY

All meters are warranted against any manufacturing defect for a period of 12 months from date of supply, provided the meter has not been misused, damaged, installed for services it is not recommended or the seal has been tampered with. The company shall be liable to furnish part/ parts thereof or full water meter as the company may deem fit.

## V.A. VALVES

(FLOW METERING DIVISION)

ISO 9001-2008 Certified

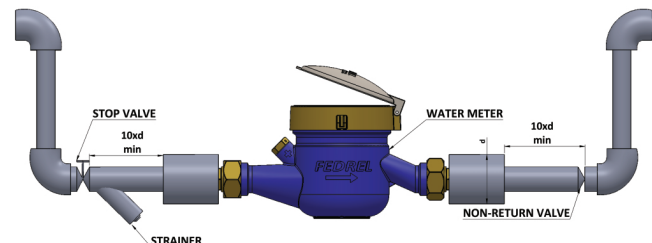
Regd. Office & Works: Udyog Nagar, Gadaipur, Jalandhar City -144 004

Phone: +91-181-2601540, 2601541 Fax: +91-181-2601741

E-mail : marketing@vk-utam.com, info@fedrelflowmeters.com

Website : www.fedrelflowmeters.com

Due to continuous development program, design and data in this leaflet are subject to change without prior notice.



d= nominal size of water meter

U-TYPE INSTALLATION DIAGRAM

Authorized Stockist

Our associates:



PIONEERING FLUID CONTROLS